

TRI-STATE FIGURE CONTEST
February 22, 2015
HOLIDAY SKATING CENTER, DELANCO, NJ

Dear Skaters and Professionals,

Tri-State Skating invites you to our Sunday Morning Figure Contest. The event is scheduled for Sunday morning, February 22, 2015. There will be **NO SPECTATOR FEES** for this meet. Bring your family and friends along to watch the skating! We look forward to seeing you there, as well as at the other meets planned for this season. (Note: We will be using the Wheels 2015 Spring Invitational elimination requirements.) We will also be offering bronze level figure tests.

Questions:

Steve Hinkle - (856) 767-3171, Email SGH1@aol.com

Web Site - WWW.ERUSARS.ORG

Directions to Holiday Skating Center:

See enclosed map.

JUDGES: A local panel of judges will be used.

ENTRY FEES

Entry Fees: \$20.00 First Event, \$15.00 Each Additional Event

Make Check Payable To: Holiday Skating Club

APPLICATION DEADLINE: **Postmarked by February 4, 2015**

Late applications will be accepted with a \$5.00 service fee per application.

Mail Application & Fees To: Holiday Skating Club, c/o Steven Hinkle, 30 Wyndham Road, Voorhees, NJ 08043

SCHEDULE: Doors open no earlier than 5:30 AM, actual start time based on final schedule. Final schedule will be posted on the web site WWW.ERUSARS.ORG.

SPECTATORS: FREE **PROGRAMS:** \$2.00 **TAB SHEETS:** \$1.00

FLOOR SIZE: 210' x 90', plastic coated maple

TRI-STATE FIGURE CONTEST
February 22, 2015
HOLIDAY SKATING CENTER, DELANCO, NJ

Volunteers: There is always a need for help at these Tri State meets. The meets are run for the benefit of the skaters of the Eastern Region. First, the meets give our skaters a local competition experience. Second, all profits go toward the national practice times, the regional scholarships and the regional awards plaques. If there is a parent or friend of skating that can help at the meets with check in, program sales, awards presentation, figure stewarding, or event referee please contact Steven Hinkle via phone or email.

RULES OF ENTRY:

USA/RS RULES: All USA/RS rules will be observed.

Membership: All contestants must be registered USARS members.

Challenge Up: Youth Level A skaters may challenge up to a higher age group. Adult Level A skaters may register in any Level A event they qualify for by age. Level C skaters may only challenge up to Level B and/or A events. Level B skaters may only challenge up to Level A events.

Adult Cross Over: Skaters in the adult division may cross over provided age and eligibility requirements are met.

Entry Limitations: Skaters may enter up to 3 circle events and 2 loop events.

Final Events: All Events will be skated as a two figure final events regardless of entry.

Awards: Unique medals with neck ribbons will be presented for first through third places. All Tiny Tot skaters receive an award.

Age Eligibility is determined by the skater's age as of January 1, 2015.

W/C and Jr. W/C Loops: are non-standard co-ed events open to skaters eligible to compete in World Class or Junior World Class figures, respectively.

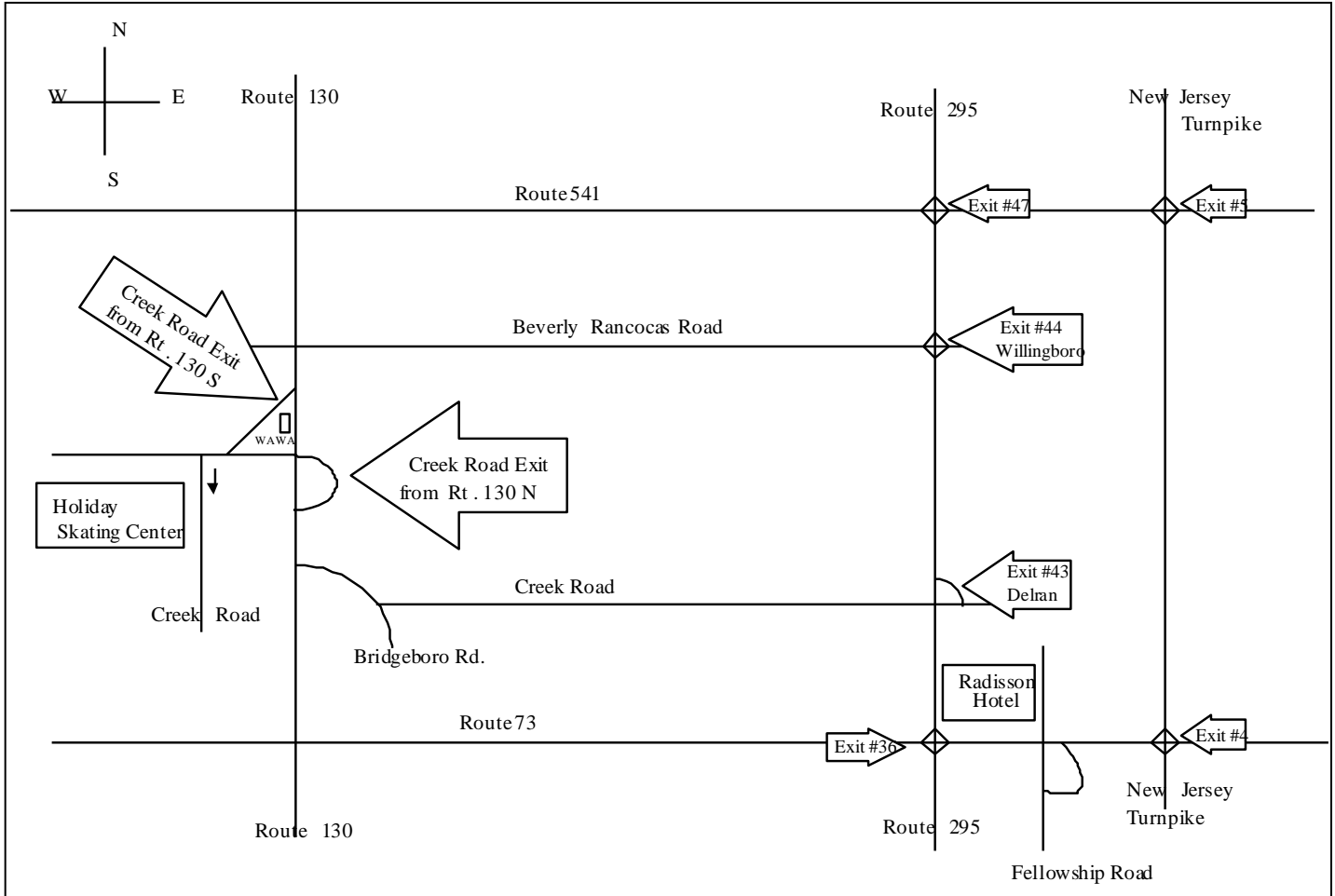
Division and Circle Loop Events: Open Loop, Circle Loop B and Circle Loop C Events will be divided into only three divisions. Juv/Elem (Ages 12 & under), Fresh/Soph (Ages 13 & over) and Adult (Ages 25 & over)

Tiny Tot: Event for skaters age 6 and under.

TRI-STATE FIGURE CONTEST
February 22, 2015
HOLIDAY SKATING CENTER, DELANCO, NJ

MAP AND DIRECTIONS

FROM THE:



- North - NJ Turnpike South to Exit 5, Route 541 North to Route 130 South.
 Follow Rt. 130 South to Creek Road exit. (about 4 miles, exit is at a WAWA Store)
 Make a right at the end of the exit and a quick left at the next street. The skating center is on the right ¼ mile down the road.

- West - PA Turnpike across bridge into New Jersey. Get off at the first exit after the bridge onto Rt. 130 South. Follow Rt. 130 South to Creek Road exit.
 (about 4 miles, exit is at a WAWA Store) Make a right at the end of the exit and a quick left at the next street.
 The skating center is on the right ¼ mile down the road.

- South- NJ Turnpike North to Exit 4, Rt. 73 North to Rt. 130 North, Rt. 130 North to Delanco (about 4 or 5 miles) to Creek Road Jug Handle Exit.
 Follow Creek Rd. after exiting Rt. 130 - Turn left at first street (about 300 yards) - The skating center is on the right ¼ mile down the road.

TRI-STATE FIGURE CONTEST
February 22, 2015
HOLIDAY SKATING CENTER, DELANCO, NJ

EVENT REQUIREMENTS		
Tiny Tot	1B	2
Primary	2B	7A
Juvenile C	1B	112A
Juvenile B	5A	113A
Juvenile A	3A	8B
Elementary C	1B	112A
Elementary B	7B	9A
Elementary A	19A	27B
Fresh/Soph C	1B	112A
Fresh/Soph B	8B	12A
Fresh/Soph A Men	4	19B
Freshman A Women	18A	29B
Sophomore A Women	13A	33B
Novice B	2	111B
Novice A	1B	9A
Classic A	19A	27B
Esquire A	1	112B
Masters A	1	2B
Veterans A	1B	111A
Premier A Gold	9A	24B
Premier A Silver	2B	5A
Golden A	1B	112A
Jr/Jr World Class	21A	36B
World Class	23A	36B
Open Loop Events	14B	30A
Circle Loop Level C Events	114B	130A
Circle Loop Level B Events	14A	130B
Advanced Loops Coed	17A	31B
Jr. World Class Loops Coed	31B	38A
World Class Loops Coed	38B	39A
Adult Loop	14B	30A

TRI-STATE FIGURE CONTEST
February 22, 2015
HOLIDAY SKATING CENTER, DELANCO, NJ

2015 Holiday Tri-State Figure Application

First Name: _____ Last Name: _____ Sex: M or F
 Address: _____ City: _____ State: _____ Zip: _____
 Phone No.: _____ Birth Date: ____/____/____ Age as of 1/1/2015 _____
 Club ID: _____ Club Name: _____
 Amateur Card #: _____ Coach's Name: _____

ALL SKATERS MUST HAVE A CURRENT USA ROLLER SPORTS MEMBERSHIP

Women	Figure Events	Men
	Tiny Tot	
	Primary	
	Juvenile C	
	Juvenile B	
	Juvenile A	
	Elementary C	
	Elementary B	
	Elementary A	
	Fresh/Soph C	
	Fresh/Soph B	
	Freshman A Girls	
	Fresh/Soph A Men	
	Sophomore A Women	
	Jr/Jr World Class	
	World Class	
	Novice B	
	Novice A	
	Classic A	
	Esquire A	
	Masters A	
	Veterans A	
	Golden A Figures	
	Premier A Gold	
	Premier A Silver	

Women	Figure Loop Events	Men
	Circle Loops C Juv/Elem (12 & Under)	
	Circle Loops C Fresh/Soph/Adult (13 & over)	
	Circle Loops B Pri/Juv/Elem (12 & Under)	
	Circle Loops B Fresh/Soph/Adult (13 & over)	
	Open Loops A Juv/Elem (12 & Under)	
	Open Loops A Fresh/Soph/Adult (13 & over)	
	Open Loops A Adult (25 & over)	
	Advanced Loops	
	Jr. World Class Loops Coed	
	World Class Loops Coed	

<p>REMIT APPLICATIONS TO: Holiday Skating Club c/o Steven Hinkle 30 Wyndham Road Voorhees, NJ 08043</p>
--

Applications MUST BE POSTMARKED
BY: February 4, 2015

Amount Due For This Skater	
_____ First Event \$20.00	= \$ _____
_____ Additional Events @ \$15.00 Each	= \$ _____
 Total Amount Enclosed	 = \$ _____

Late applications will be accepted with a \$5.00 service fee per application.
MAKE CHECKS PAYABLE TO Holiday Skating Club

TRI-STATE FIGURE CONTEST
February 22, 2015
HOLIDAY SKATING CENTER, DELANCO, NJ

2015 Holiday Tri-State Test Center

First Name: _____ Last Name: _____ Sex: M or F
 Address: _____ City: _____ State: _____ Zip: _____
 Phone No.: _____ Birth Date: ____/____/____ Age as of 1/1/2015 _____
 Club ID: _____ Club Name: _____
 Amateur Card #: _____ Coach's Name: _____

#1 Bronze Circle Figure	\$7.00	111A ROF-LOF Serpentine Eight	111B LOF-ROF Serpentine Eight
#2 Bronze Circle Figure	\$7.00	112A RIF-LOF Serpentine Eight	112B LIF-RIF Serpentine Eight
#3 Bronze Circle Figure	\$8.00	1 ROF-LOF Eight 2 RIF-LIF Eight	1B LOIF-ROIF Change Eight 2B LIOF-RIOF Change Eight
#4 Bronze Circle Figure	\$8.00	5A ROIF-LIOF Serpentine 113B LOB-ROB Serpentine 8 Youth or	5B LOIF-RIOF Serpentine 105B LOF-RIF Dbl. Chg. Serp. Adult
#5 Bronze Circle Figure	\$9.00	7A ROF-LOF or 7B LOF-ROF Three 9B LIF-ROB Three	9A RIF-LOB Three

Number of tests: _____ Total Amount Paid: \$ _____

Make Test Checks Payable to **Holiday Skating Club**