

TRI-STATE FIGURE CONTEST
February 26, 2017
HOLIDAY SKATING CENTER, DELANCO, NJ

Dear Skaters and Professionals,

Tri-State Skating invites you to our Sunday Morning Figure Contest. The event is scheduled for Sunday morning, February 26, 2017. There will be **NO SPECTATOR FEES** for this meet. Bring your family and friends along to watch the skating! We look forward to seeing you there, as well as at the other meets planned for this season. (Note: We will be using the Wheels 2017 Spring Invitational elimination requirements.)

Questions:

Steve Hinkle - (609) 870-7055, Email SGH1@aol.com

Web Site - WWW.ERUSARS.ORG

Directions to Holiday Skating Center:

See enclosed map.

JUDGES: A local panel of judges will be used.

ENTRY FEES

Entry Fees: \$20.00 First Event, \$15.00 Each Additional Event

Make Check Payable To: Holiday Skating Club

APPLICATION DEADLINE: **Postmarked by February 4, 2017**

Late applications will be accepted with a \$5.00 service fee per application.

Mail Application & Fees To: Holiday Skating Club, c/o Steven Hinkle, 30 Wyndham Road, Voorhees, NJ 08043

SCHEDULE: Doors open no earlier than 5:30 AM, actual start time based on final schedule. Final schedule will be posted on the web site WWW.ERUSARS.ORG.

SPECTATORS: FREE **PROGRAMS:** \$2.00 **TAB SHEETS:** \$1.00

FLOOR SIZE: 210' x 90', plastic coated maple

TRI-STATE FIGURE CONTEST
February 26, 2017
HOLIDAY SKATING CENTER, DELANCO, NJ

Volunteers: There is always a need for help at these Tri State meets. The meets are run for the benefit of the skaters of the Eastern Region. First, the meets give our skaters a local competition experience. Second, all profits go toward the national practice times and the regional scholarships. If there is a parent or friend of skating that can help at the meets with check in, program sales, awards presentation, figure stewarding, or event referee please contact Steven Hinkle via phone or email.

RULES OF ENTRY:

USA/RS RULES: All USA/RS rules will be observed.

Membership: All contestants must be registered USARS members.

Challenge Up: Youth Level A skaters may challenge up to a higher age group. Adult Level A skaters may register in any Adult Level A event they qualify for by age. Level C skaters may only challenge up to Level B and/or A events. Level B skaters may only challenge up to Level A events.

Adult Cross Over: Skaters in the adult division may cross over provided age and eligibility requirements are met.

Entry Limitations: Skaters may enter up to 3 circle events and 2 loop events.

Final Events: All Events will be skated as a two figure final events regardless of entry.

Awards: Unique medals with neck ribbons will be presented for first through third places. All Tiny Tot skaters receive an award.

Age Eligibility is determined by the skater's age as of January 1, 2017

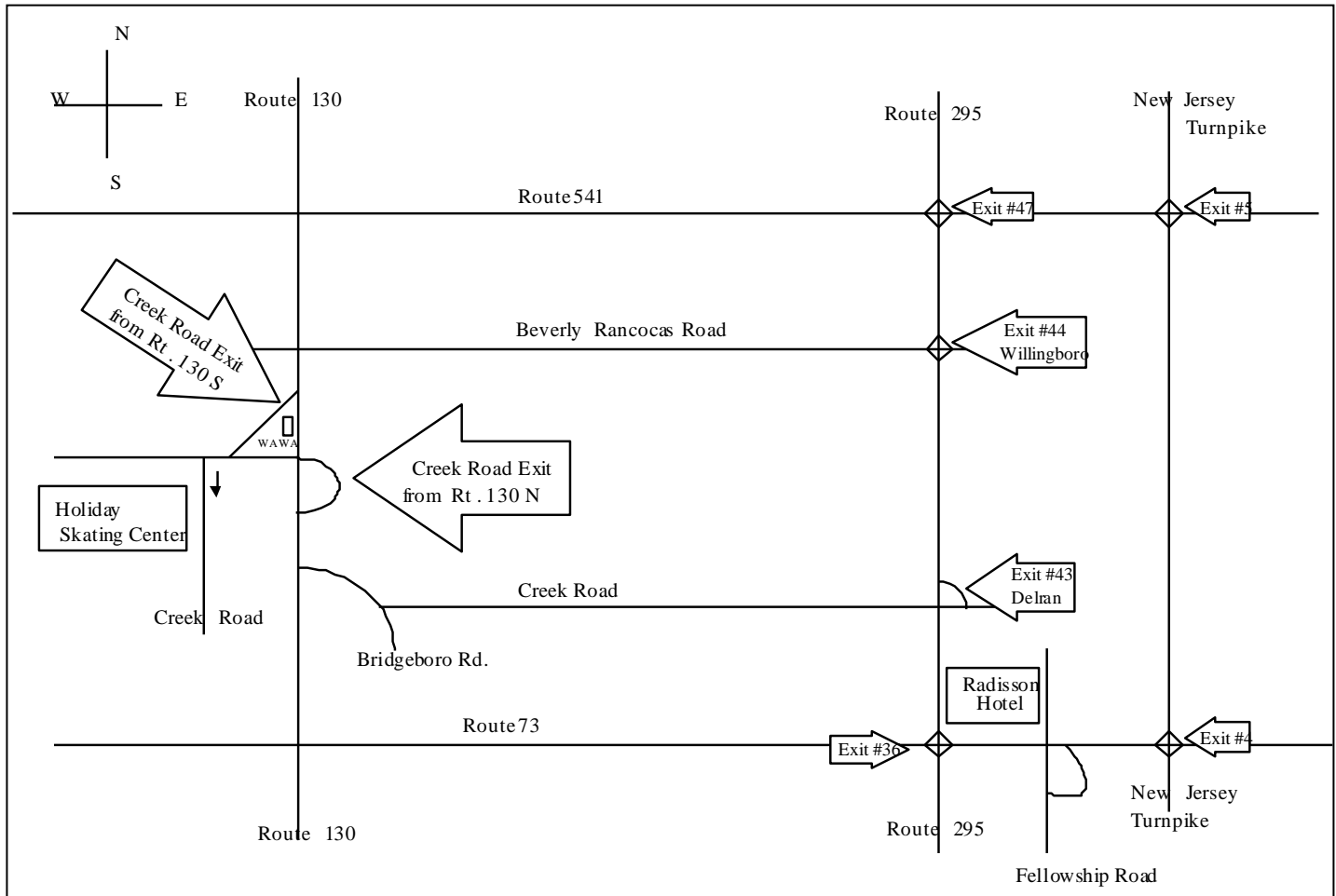
W/C and Jr. W/C Loops: are non-standard co-ed events open to skaters eligible to compete in World Class or Junior World Class figures, respectively.

Loop Events: Level A Loop, Level B Loop and Level C Loop Events will be divided into only three divisions. Pri/Juv/Elem (Ages 12 & under), Fresh/Soph (Ages 13 & over) and Adult (Ages 25 & over). **All Loop Events will be skated as Coed Events.**

Tiny Tot: Event for skaters age 6 and under.

TRI-STATE FIGURE CONTEST
February 26, 2017
HOLIDAY SKATING CENTER, DELANCO, NJ

MAP AND DIRECTIONS



FROM THE:

- North - NJ Turnpike South to Exit 5, Route 541 North to Route 130 South.
 Follow Rt. 130 South to Creek Road exit. (about 4 miles, exit is at a WAWA Store)
 Make a right at the end of the exit and a quick left at the next street. The skating center is on the right ¼ mile down the road.
- West - PA Turnpike across bridge into New Jersey. Get off at the first exit after the bridge onto Rt. 130 South. Follow Rt. 130 South to Creek Road exit. (about 4 miles, exit is at a WAWA Store) Make a right at the end of the exit and a quick left at the next street.
 The skating center is on the right ¼ mile down the road.
- South- NJ Turnpike North to Exit 4, Rt. 73 North to Rt. 130 North, Rt. 130 North to Delanco (about 4 or 5 miles) to Creek Road Jug Handle Exit.
 Follow Creek Rd. after exiting Rt. 130 - Turn left at first street (about 300 yards) - The skating center is on the right ¼ mile down the road.

TRI-STATE FIGURE CONTEST
February 26, 2017
HOLIDAY SKATING CENTER, DELANCO, NJ

EVENT REQUIREMENTS		
Tiny Tot	1B	2
Primary	2B	7A
Juvenile C	1B	112A
Juvenile B	5B	7A
Juvenile A	3A	8B
Elementary C	1B	112A
Elementary B	7B	9A
Elementary A	19A	26B
Fresh/Soph C	1B	112A
Fresh/Soph B	8B	12A
Fresh/Soph A Men	4	19B
Freshman A Women	18A	29B
Sophomore A Women	13A	33B
Novice B	2	111B
Novice A	3A	7B
Classic A	19A	27B
Esquire A	1	5B
Masters A	1	2B
Veterans A	1B	111A
Premier A Gold	9A	22B
Premier A Silver	2B	5A
Golden A	1A	112B
Jr/Jr World Class	23A	40B
World Class	22A	41B
Juv/Elem A Loops	14B	30A
Fresh/Soph A Loops	15A	131B
Circle Loop Level C Events	114B	130A
Loop Level B Events	14A	130B
Advanced Loops Coed	17A	31B
Jr. World Class Loops Coed	31B	38A
World Class Loops Coed	38B	39A
Adult Loop	14B	30A

TRI-STATE FIGURE CONTEST
February 26, 2017
HOLIDAY SKATING CENTER, DELANCO, NJ

First Name: _____

Last Name: _____ Sex: M or F

Address: _____

City: _____ State: _____ Zip: _____

Phone No.: _____

Birth Date: ____/____/____ Age as of 1/1/2017 _____

Club ID: _____

Club Name: _____

Amateur Card #: _____

Coach's Name: _____

ALL SKATERS MUST HAVE A CURRENT USA ROLLER SPORTS MEMBERSHIP

Women	Figure Events	Men
090	Tiny Tot Coed	090
102	Primary	100
106	Juvenile C	104
110	Juvenile B	108
114	Juvenile A	112
118	Elementary C	116
122	Elementary B	120
126	Elementary A	124
130	Fresh/Soph C	128
134	Fresh/Soph B	132
138	Freshman A Girls	
	Fresh/Soph A Men	136
140	Sophomore A Women	
180	Jr/Jr World Class	178
184	World Class	182
144	Novice B	142
148	Novice A	146
152	Classic A	150
156	Esquire A	154
160	Masters A	158
164	Veterans A	162
176	Golden A Figures	174
168	Premier A Gold	166
172	Premier A Silver	170

Coed	Figure Loop Events
192	Juv/Elem C Circle Loops (12 & Under)
204	Fresh/Soph/Adult C Circle Loops (13 & over)
196	Pri/Juv/Elem B Loops (12 & Under)
208	Fresh/Soph B Loops (13 & over)
200	Juv/Elem A Loops(12 & Under)
212	Fresh/Soph A Loops (13 & over)
230	Adult A Loops(25 & over)
232	Advanced Loops
234	Jr. World Class Loops
236	World Class Loops

REMIT APPLICATIONS TO:

Holiday Skating Club
c/o Steven Hinkle
30 Wyndham Road
Voorhees, NJ 08043

Applications MUST BE POSTMARKED

BY: February 4, 2017

Amount Due For This Skater	
_____ First Event \$20.00	= \$ _____
_____ Additional Events @ \$15.00 Each	= \$ _____
Total Amount Enclosed	= \$ _____

Late applications ARE NOT APPRECIATED but will be accepted with a \$5.00 service fee per application.

MAKE CHECKS PAYABLE TO Holiday Skating Club