

TRI-STATE FIGURE CONTEST
February 25, 2018
HOLIDAY SKATING CENTER, DELANCO, NJ

Dear Skaters and Professionals,

Tri-State Skating invites you to our Sunday Morning Figure Contest. The event is scheduled for Sunday morning, February 25, 2018. There will be **NO SPECTATOR FEES** for this meet. Bring your family and friends along to watch the skating! We look forward to seeing you there, as well as at the other meets planned for this season. (Note: We will be using the 2018 Stars on Wheels Spring Invitational elimination requirements.)

Questions:

Steve Hinkle - (609) 870-7055, Email SGH1@aol.com

Web Site - WWW.ERUSARS.ORG

Directions to Holiday Skating Center:

See enclosed map.

JUDGES: A local panel of judges will be used.

ENTRY FEES

Entry Fees: \$20.00 First Event, \$20.00 Each Additional Event

Make Check Payable To: Holiday Skating Club

APPLICATION DEADLINE: **Postmarked by February 5, 2018**

Late applications will be accepted with a \$5.00 service fee per application.

Mail Application & Fees To: Holiday Skating Club, c/o Steven Hinkle, 30 Wyndham Road, Voorhees, NJ 08043

SCHEDULE: Doors open no earlier than 5:30 AM, actual start time based on final schedule. Final schedule will be posted on the web site WWW.ERUSARS.ORG.

SPECTATORS: FREE **PROGRAMS:** \$2.00 **TAB SHEETS:** \$1.00

FLOOR SIZE: 210' x 90', plastic coated maple

TRI-STATE FIGURE CONTEST
February 25, 2018
HOLIDAY SKATING CENTER, DELANCO, NJ

Volunteers: There is always a need for help at these Tri State meets. The meets are run for the benefit of the skaters of the Eastern Region. First, the meets give our skaters a local competition experience. Second, all profits go toward the national practice times and the regional scholarships. If there is a parent or friend of skating that can help at the meets with check in, program sales, awards presentation, figure stewarding, or event referee please contact Steven Hinkle via phone or email.

RULES OF ENTRY:

USA/RS RULES: All USA/RS rules will be observed.

Membership: All contestants must be registered USARS members.

Challenge Up: Youth Level A skaters may challenge up to a higher age group. Level C skaters may only challenge up to Level B and/or A events. Level B skaters may only challenge up to Level A events.

All adult skaters may only enter events that they **are age eligible to skate**. Adult Bronze Levels may not challenge up to Adult Gold Levels. Adults may challenge up to the next level event (bronze to silver, silver to gold) AND skate Classic level per discipline

Entry Limitations: Skaters may enter up to 3 circle events and 2 loop events.

Final Events: All Events will be skated as a two figure final events regardless of entry.

Awards: Unique medals with neck ribbons will be presented for first through third places. All Tiny Tot skaters receive an award.

Age Eligibility is determined by the skater's age as of January 1, 2018

W/C and Jr. W/C Loops: are non-standard co-ed events open to skaters eligible to compete in World Class or Junior World Class figures, respectively.

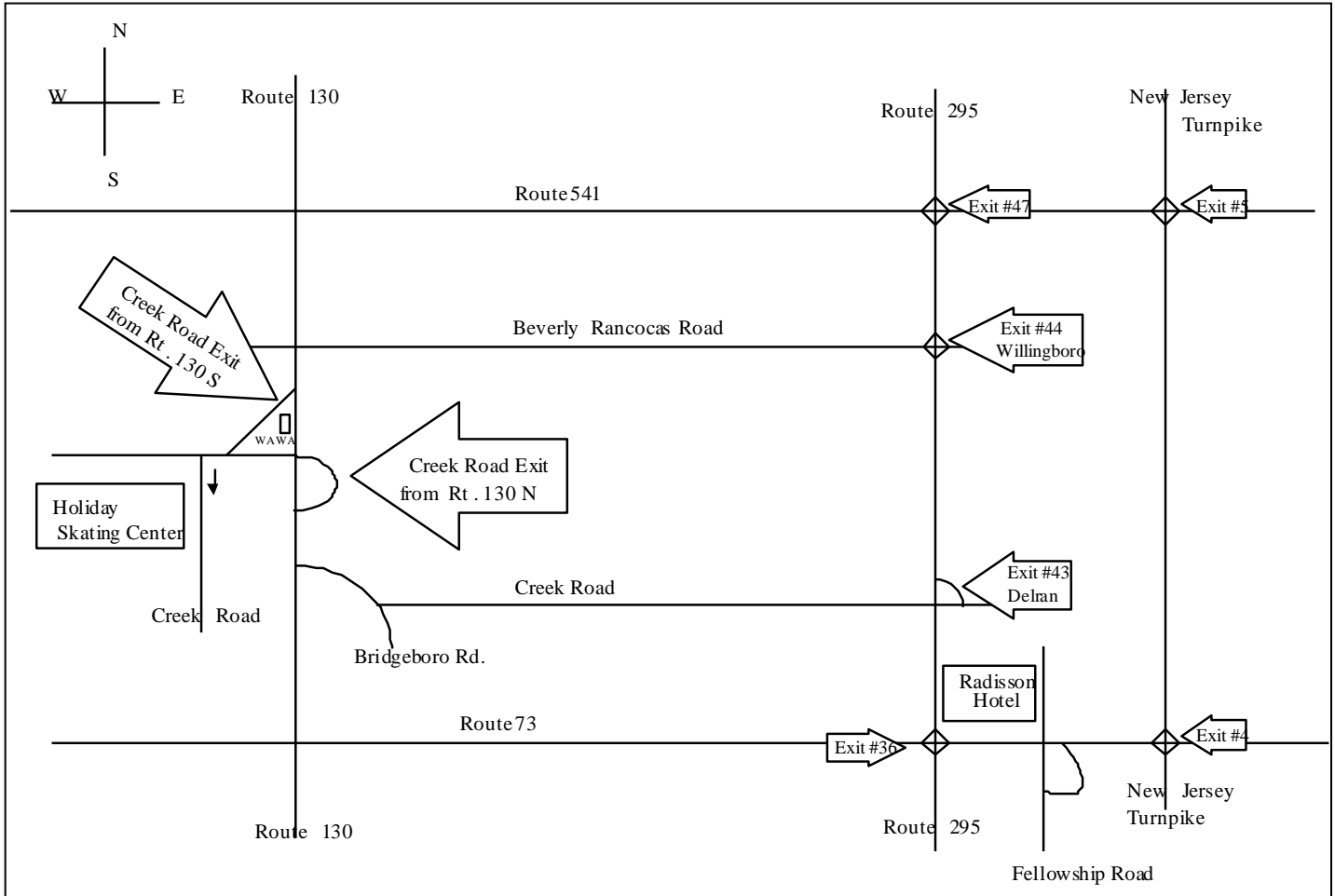
Loop Events: All Loop Events will be skated as Coed Events except Freshman Women, Sophomore Women, and Fresh/Soph Men. They would be skated together but the requirements are different.

Tiny Tot: Event for skaters age 6 and under.

TRI-STATE FIGURE CONTEST
February 25, 2018
HOLIDAY SKATING CENTER, DELANCO, NJ

MAP AND DIRECTIONS

FROM THE:



- North - NJ Turnpike South to Exit 5, Route 541 North to Route 130 South.
 Follow Rt. 130 South to Creek Road exit. (about 4 miles, exit is at a WAWA Store)
 Make a right at the end of the exit and a quick left at the next street. The skating center is on the right ¼ mile down the road.

- West - PA Turnpike across bridge into New Jersey. Get off at the first exit after the bridge onto Rt. 130 South. Follow Rt. 130 South to Creek Road exit. (about 4 miles, exit is at a WAWA Store) Make a right at the end of the exit and a quick left at the next street.
 The skating center is on the right ¼ mile down the road.

- South- NJ Turnpike North to Exit 4, Rt. 73 North to Rt. 130 North, Rt. 130 North to Delanco (about 4 or 5 miles) to Creek Road Jug Handle Exit.
 Follow Creek Rd. after exiting Rt. 130 - Turn left at first street (about 300 yards) - The skating center is on the right ¼ mile down the road.

TRI-STATE FIGURE CONTEST
February 25, 2018
HOLIDAY SKATING CENTER, DELANCO, NJ

EVENT REQUIREMENTS		
Tiny Tot	1B	2
Primary A	1B	7A
Juvenile C	1B	112A
Juvenile B	3A	9B
Juvenile A	3A	11B
Elementary C	1B	112A
Elementary B	3B	9A
Elementary A	4A	22B
Fresh/Soph C	1B	112A
Fresh/Soph B	8B	12A
Fresh/Soph A Men	4A	28B
Freshman A Women	13A	23B
Sophomore A Women	13A	33B
Bronze Div. 1,2 & 3	2B	111A
Silver Div. 1, 2 & 3	1	5A
Gold Div. 1	3A	27B
Gold Div. 2 & 3	2A	105B
Classic Gold	19A	23B
Junior American	21B	40B
Jr/Jr World Class	44A	40A
World Class	46B	47B
Primary A Co-Ed Loops	14B	130A
Juvenile C Co-Ed Loops	115A	130B
Juvenile B Co-Ed Loops	14A	130B
Juvenile A Co-Ed Loops	15B	30A
Elementary C Co-Ed Loops	115A	130B
Elementary B Co-Ed Loops	14B	130A
Elementary A Co-Ed Loops	15A	30B
Fresh/Soph C Co-EdLoops	115A	130B
Fresh/Soph B Co-Ed Loops	14A	130B
Fresh/Sopn A Men Loops	15A	131B
Freshman A Women Loops	15B	131A
Sophomore A Women Loops	15A	131B
Classic Co-Ed Loops	115B	130A
Classic Gold Co-Ed Loops	15B	30A
Advanced Co-Ed Loops	17B	31A
Junior American Loops	31B	38A
Jr. World Class Co-Ed Loops	31A	38B
World Class Co-Ed Loops	38B	39A

TRI-STATE FIGURE CONTEST
February 25, 2018
HOLIDAY SKATING CENTER, DELANCO, NJ

First Name: _____

Last Name: _____ Sex: M or F

Address: _____

City: _____ State: _____ Zip: _____

Phone No.: _____

Birth Date: ____/____/____ Age as of 1/1/2018 _____

Club ID: _____

Club Name: _____

Amateur Card #: _____

Coach's Name: _____

ALL SKATERS MUST HAVE A CURRENT USA ROLLER SPORTS MEMBERSHIP

Women	Figure Events	Men
090	Tiny Tot Co-Ed	090
102	Primary A	100
106	Juvenile C	104
110	Juvenile B	108
114	Juvenile A	112
118	Elementary C	116
122	Elementary B	120
126	Elementary A	124
130	Fresh/Soph C	128
134	Fresh/Soph B	132
	Fresh/Soph A Men	136
138	Freshman A Women	
140	Sophomore A Women	
156	Bronze Div. 1	154
160	Bronze Div. 2	158
164	Bronze Div. 3	162
168	Silver Div. 1	166
172	Silver Div. 2	170
176	Silver Div. 3	174
180	Gold Div. 1	178
184	Gold Div. 2	182
188	Gold Div. 3	186
192	Classic Gold	190
144	Junior American	142
148	Jr/Jr World Class	146
152	World Class	150

Figure Loop Events	
194	Primary A Co-Ed Loops
198	Juvenile C Co-Ed Loops
202	Juvenile B Co-Ed Loops
206	Juvenile A Co-Ed Loops
210	Elementary C Co-Ed Loops
214	Elementary B Co-Ed Loops
218	Elementary A Co-Ed Loops
222	Fresh/Soph C Co-Ed Loops
226	Fresh/Soph B Co-Ed Loops
230	Fresh/Soph A Men Loops
232	Freshman A Women Loops
234	Sophomore A Women Loops
236	Advanced Co-Ed Loops
238	Classic Co-Ed Loops
242	Classic Gold Co-Ed Loops
300	Junior American Loops
302	Jr. World Class Co-Ed Loops
304	World Class Co-Ed Loops

REMIT APPLICATIONS TO:

Holiday Skating Club
c/o Steven Hinkle
30 Wyndham Road
Voorhees, NJ 08043

Applications MUST BE POSTMARKED

BY: February 5, 2018

Amount Due For This Skater	
_____ First Event \$20.00	= \$ _____
_____ Additional Events @ \$20.00 Each	= \$ _____
Total Amount Enclosed	= \$ _____

Late applications ARE NOT APPRECIATED but will be accepted with a \$5.00 service fee per application.

MAKE CHECKS PAYABLE TO Holiday Skating Club